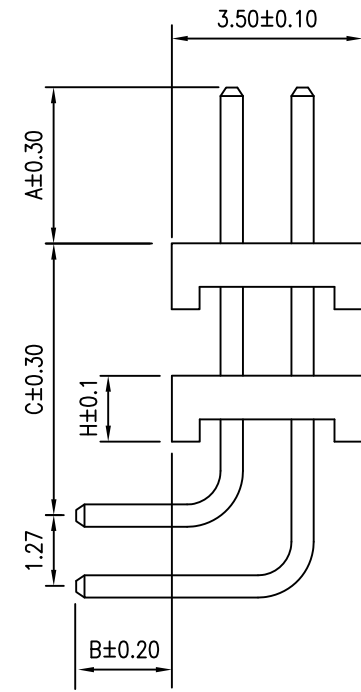
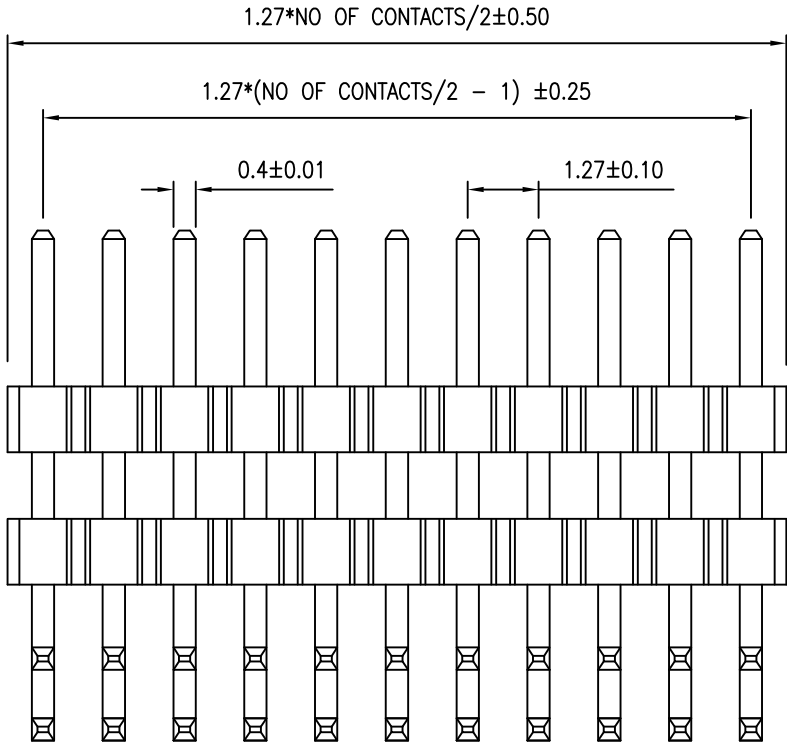


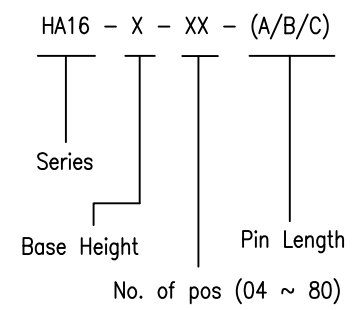
REV	ECN NO.	APP.	DATE
A	NEW DESIGN		



SPECIFICATION

- * Current Rating: 1 A
- * Withstanding Voltage: 300 VAC (1 min.)
- * Insulation Resistance: 1000 Megohms MIN.
- * Contact Resistance: 30 Milliohms MAX.
- * Operating Temperature: -40°C to +105°C

ORDER INFORMATION

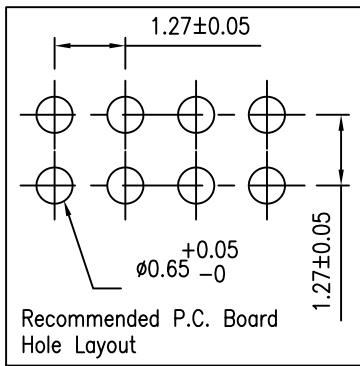


Base Height

Base	H
1	1.00
2	1.20
3	1.50
4	2.00
5	2.50
6	3.00

Pin Chart

Pin	A	B	C
1	2.50	2.00	6.00
2			
3			
4			
5			
6			



MATERIAL

- * Contact: Brass
0.40mm square post
- * Insulator: PA6T + 30% G.F.
- * Plating: All Gold

(주)신화테크 SHINHWA TECH CO.,LTD
 TEL : 031-451-9441 FAX : 031-451-9444

0.0±	SCALE:	TITLE:	PART NO:
0.00±	UNIT:	1.27MM Pin Header Dual Row	APP BY:
0.000±	MM	Right Angle Double Base	CHK BY:
		MATL: PA6T + 30% G.F.	DR BY:
		DWG. NO. HA16	